



CATWALKS



Brock offers options depending on job specific needs. The catwalks have optional access platforms.



Brock offers a standard 24-in. (61-cm) wide walkway.



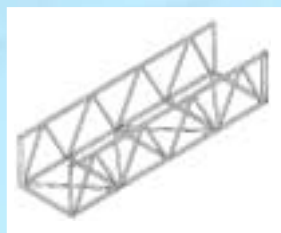
Optional Brock walk-around.



The corner splice connection allows for ease of installation.



Brock has the ability to deepen the truss depending on the span, which eliminates the need for cables or rods.



Bottom Box Truss

- ◆ Standard widths: 27 to 48 inches (69 to 122 cm).
- ◆ Maximum span: 55 ft. (16 m).
- ◆ Maximum loaded conveyor weight: 115 lb/ft² (561 kg/m²).
- ◆ Standard lengths: 20 ft. (6 m) in 5-ft (1.5 m) intervals.
- ◆ 4-bolt connection at truss plates.
- ◆ Welded construction with bolt-on handrails.

Handrail Truss

- ◆ Standard widths: 30 to 96 inches (76 to 244 cm).
- ◆ Maximum span: 115 ft. (35 m).
- ◆ Maximum loaded conveyor weight: 500 lbs/ft² (2441 kg/m²).
- ◆ 8-bolt connection at truss splices.
- ◆ Bolt-together construction.
- ◆ Welded construction available.

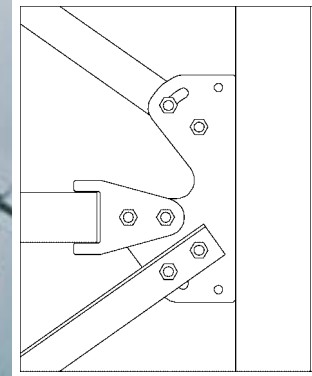
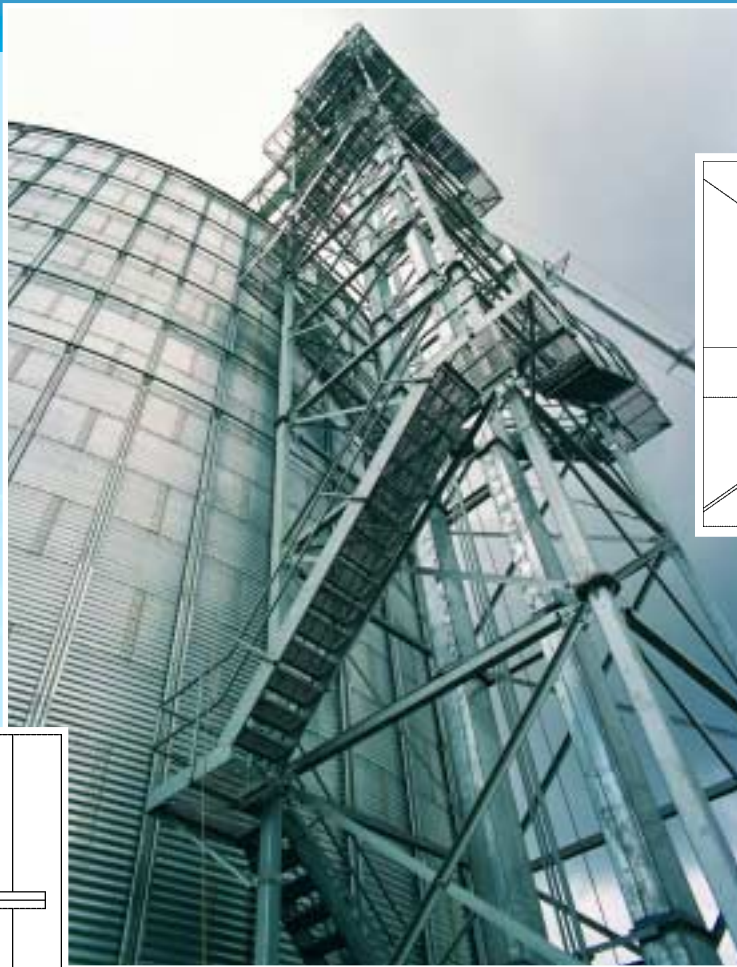
All Trusses

- ◆ Standard Walkway: Galvanized grip strut with toe board.
- ◆ Optional: 3- to 4-lb. (1.4- to 1.8-kg) grating.
- ◆ Standard: Hot-dip galvanized.
- ◆ Optional: Primed and painted gray (other colors are extra-cost option).

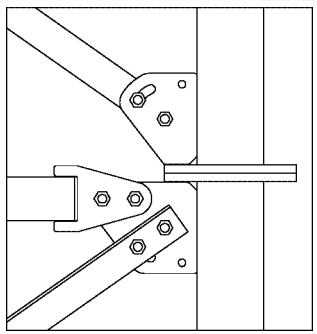
Walk-Thru Truss

- ◆ Standard widths: 72 to 96 inches (183 to 244 cm).
- ◆ Standard inside height: 84 in. (213 cm).
- ◆ Maximum span: 200 ft. (61 m).
- ◆ Maximum loaded conveyor weight as needed.
- ◆ Bolt-together construction standard.
- ◆ Welded construction available.

BUCKET ELEVATOR TOWERS AND STAIRS



Quality and attention to detail are what make Brock a leader in the industry.

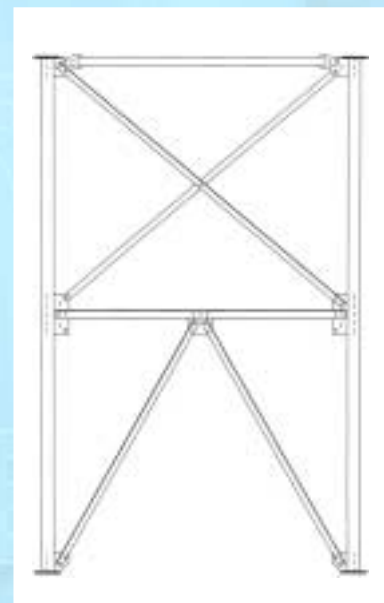


Patented

Brock's adjustable tower connection plate can be used on any tower, from 8 to 14 ft. (2.4 to 4.3 m) wide; this allows for easier erection of tower.

Bucket Elevator Support Towers

- ◆ Standard sizes: 8 to 20 ft. (2.4 to 6.1 m) square in 5-, 10-, 15- or 20-ft. (1.5-, 3-, 4.6- or 6.1-m) sections with larger custom sizes available.
- ◆ Heavy-duty wrap-around or switchback stairs available.
- ◆ Square tube columns.
- ◆ X-bracing is standard.
- ◆ Optional inverted V-brace design is available for increased access to tower.
- ◆ Standard: Hot-dip galvanized.
- ◆ Optional: Primed and painted gray.



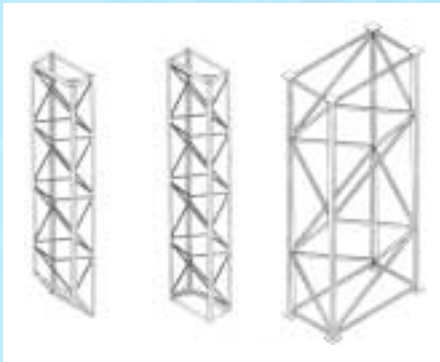
Typical 20-ft. (6.1 m) Section
Inverted "V" Access Brace

SMALL SUPPORT TOWERS

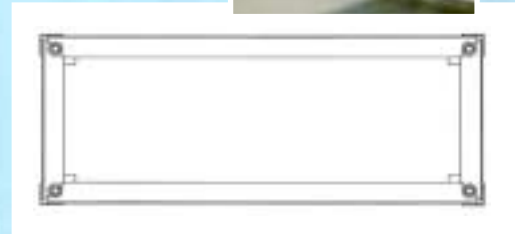


Brock's small support towers are computer-engineered for various heights, wind speeds, and seismic zones (call Brock for specific details). Painted or galvanized finishes are available.

The support towers are available in 2-leg or 4-leg configurations from 16-in. (41-cm) square through 6-ft. (1.8-m) square with bolted or welded construction in 5-, 10-, 15- and 20-ft. (1.5-, 3-, 4.6- or 6.1-m) sections. Brock offers a tower that tapers from 4 legs to 2 legs to sit on bin foundations and has other custom designs for any application.



- ◆ Standard sizes: 16-in (41-cm) square, 16 x 24 inches (41 x 61 cm), 16 x 32 inches (41 x 81 cm), 24 x 48 inches (61 x 122 cm), and 48 x 48 inches (122 x 122 cm).
- ◆ Standard sizes: 4 x 4 feet (1.2 x 1.2 m), 4 x 8 feet (1.2 x 2.4 m), and 4 x 10 feet (1.2 x 3 m).
- ◆ Other sizes are custom engineered.



Typical 4-bolt connection allows for fast and easy installation.



Brock Grain Systems

Chore-Time Brock International

Divisions of CTB, Inc.

Milford, IN • Kansas City, MO • Frankfort, IN

Phone: 574.658.4191 or 574.658.9323 (International)

Internet: www.brockmfg.com or www.ctbworld.com

E-Mail: brock@brockmfg.com